

**EVO-12**

全频线性点声源

- 功率: 低频: 1000 W + 高频: 250 W
- 频率响应(-6dB): 50 Hz - 18 KHz
- 灵敏度: 90 dB / 1W @1m
- 最大声压级: 120 dB @2m
- 覆盖角度(-6dB): 90° H (水平) x 40° V (垂直)
- 水平覆盖组合 2 EVO12: 120°
- 低频: 1 x 12'
- 中频: 4 x 4'
- 高频: 1 x 1'
- 4 个音箱线位卡条
- 4个运输把手
- 18/30 mm 波罗的海桦木
- 聚氨酯漆涂料
- 尺寸 (H xDxW) 559 x530 x 406 mm
- 重量: 27 kg (无源) / 30 kg (有源)



**EVO-12A 1250 W 内置分频有源版:**

- Pascal Audio 1000W + 250W
- 数字信号处理器
- RJ45 编程接口
- 连接: In/Link on XLR 3 pins
- 电源输入/输出



**EVO-12P 1250 W 内置分频无源版:**

- 2-Way 1000 W + 250 W / 8
- 连接: 2 Speakon NL4MP
- 要配合 EVO12P 使用

FC-2EVO12: 2个 EVO-12飞行箱 (可选)

**EVO-15B**

搭配 EVO12

- Power: 1000 W
- Bandwidth: 37 Hz to 200 Hz
- Sensibility: 90 dB / 1W @1m
- SPL MAX: 127 dB
- Directivity: Half directional 180°
- LF: 1 x HP 15" Double wave loudspeaker
- Rigging: 1 Flange for 35mm tube,

4 rails aerodeck type

- 4 transport handles
- CTP Finland Birch 18/30 mm
- Finished Polyurethane painting
- Dimensions: H674 x D627 x W406 mm / 43 Kg

**Passive Version:**

- 1000 W
- Nominal Impedance: 8 Ω
- Connections: 2 speakon NL4MP connectors
- To be used with Hortus EVO15P presets



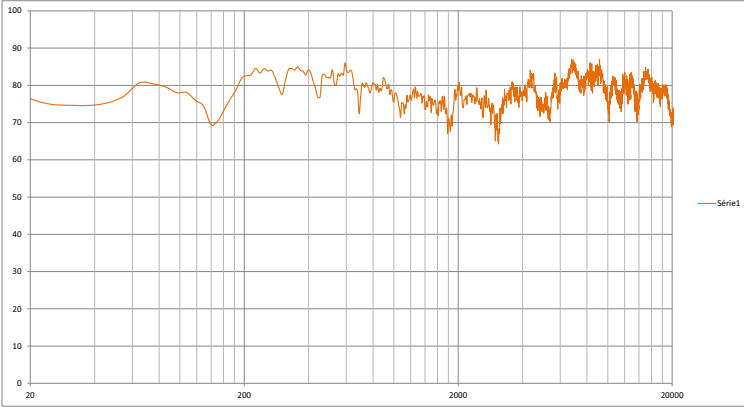
**Active Version 1000 W :**

- Pascal Audio 1000 W Amplification
- DSP ALL DSP
- RJ45 Port for programming
- In/Link on XLR 3 Pins
- Powercon in/out Power Supply

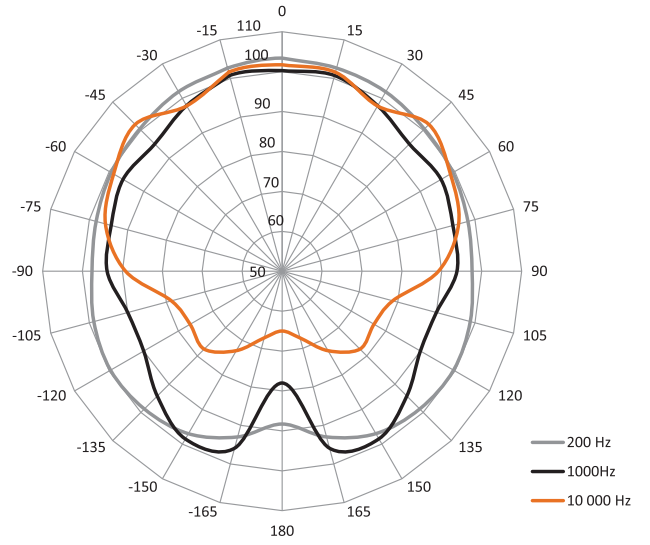
FC-2EVO15B : Flight-case option for 2 x EVO15B



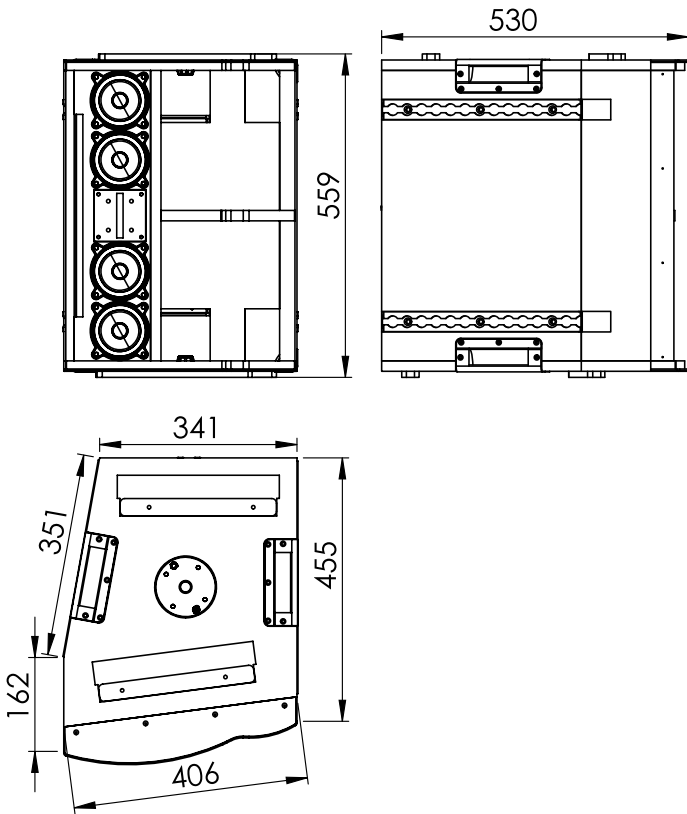
**EVO-12 - FREQUENCY RESPONSE**



**EVO-12 - DIRECTIVITY**



**EVO-12 - DIMENSIONS (MM)**



**EVO-15 - DIMENSIONS (MM)**

